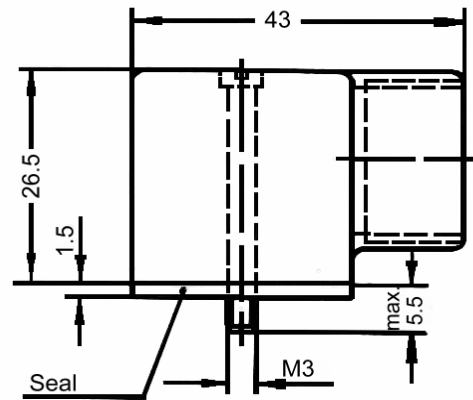
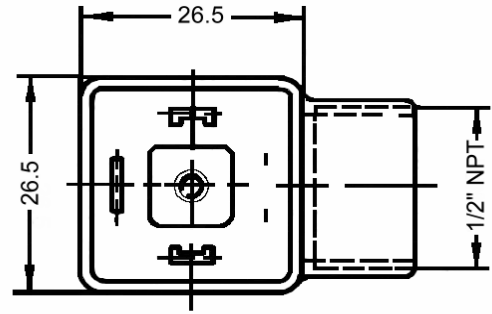




P/N 2251-3331 1/2" Conduit Connector with 24V LED & Varistor

1/2" Conduit (translucent housing)



Number of Poles = 2+GRD

Contact Spacing: 18mm

Voltage:
24V AC or DC

max. current 16AMP
10AMP nominal current

Contact Resistance: 4 Ohm

Housing Material: Polyamide Nylon Glass Reinforced

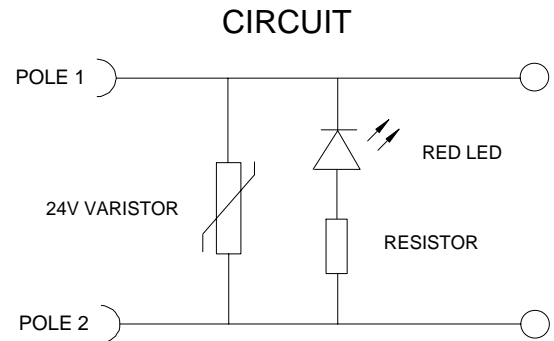
PG9 Strain Relief for cords ranging 0.240 to 0.310 in.

Protection Class: IP 65

Insulation Class: VDE 0110-1/89

Operating Temperature: -40 C to +90 C with NBR Seal
-40 C to +125 C with Silicon Seal

Profile NBR gasket standard



Conforms to:
DIN 43650-A
ISO 4400
EN 175301-803
&
RoHS Compliant